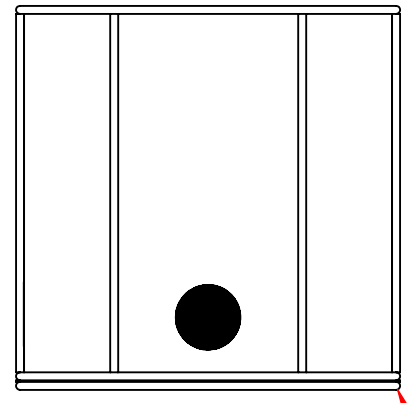
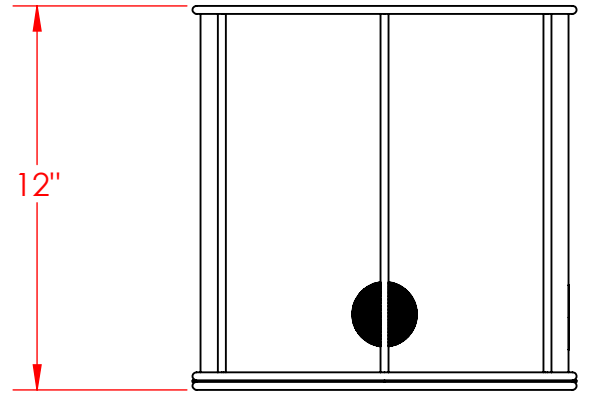
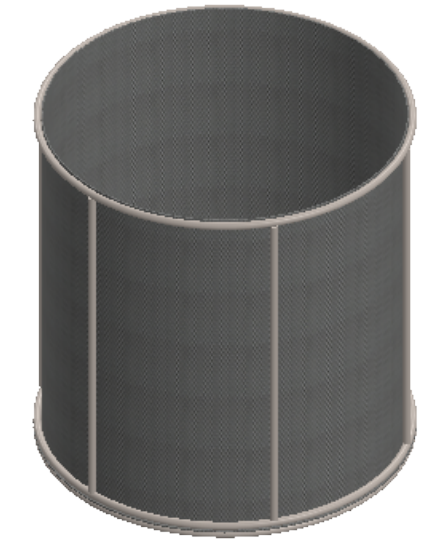
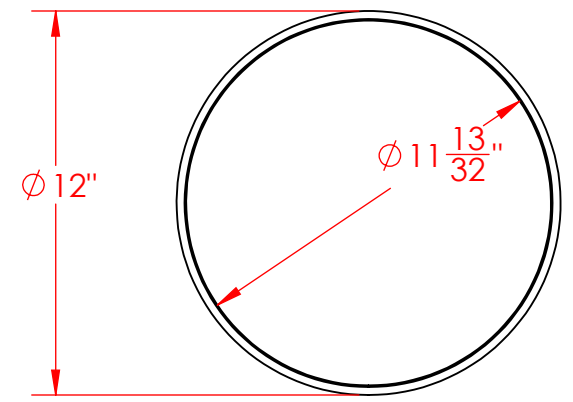


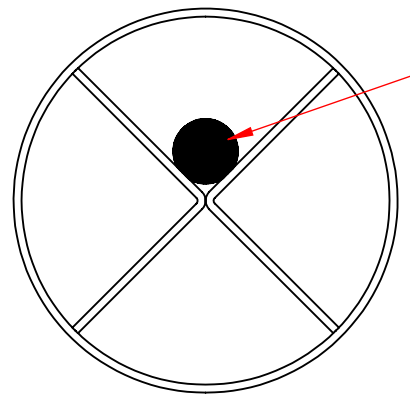
8 7 6 5 4 3 2 1

D
C
B
A

D
C
B
A



$\phi \frac{1}{4}''$
Rod Frame



Lined Bottom and Sides with
30 Mesh x .012" Woven Wire
(.021" Openings, 40% Open Area)

UNLESS OTHERWISE SPECIFIED:
DIMENSIONS ARE IN INCHES
TOLERANCES:
FRACTIONAL $\pm 1/16''$
ANGULAR: ± 5 DEG.
TWO PLACE DECIMAL ± 0.03
THREE PLACE DECIMAL ± 0.015

EST WGT
3.9 lbs.
MATERIAL
304 Stainless Steel
FINISH
Natural

Round Wire Mesh Basket: 12Dia. x
12H, 304 SS, 1/4 Rod Frame, No
Handles, Mesh: 30 x .012

PROPRIETARY AND CONFIDENTIAL
THE INFORMATION CONTAINED IN THIS
DRAWING IS THE SOLE PROPERTY OF
THREE M TOOL. ANY REPRODUCTION IN
PART OR AS A WHOLE WITHOUT THE
WRITTEN PERMISSION OF THREE M TOOL
IS PROHIBITED.

SIZE **B** DWG. NO.
TMT-120RND120-N30S

DO NOT SCALE DRAWING SCALE: 1:6 SHEET 1 OF 1

8 7 6 5 4 3 2 1